

Loft Vent Tray



The Loft Vent Tray is easily installed from inside the loft to allow air into the roof space by preventing insulation material from blocking the ventilation path.

Product features & benefits

- Easily installed from inside the loft
- Adjusts itself to pitch of roof
- No need to disturb roof covering
- Lightweight and durable
- Perfect solution when upgrading of insulation is required

Area of application

Suitable for:

- New build or refurbishment

Material

PVC

Colour

Black

Product Code

KP965000

Dimensions

315mm wide x 700mm long x 30mm deep

Packaging

10 trays per pack, 5 packs per carton (50 off)

Weight (per carton)

10kg

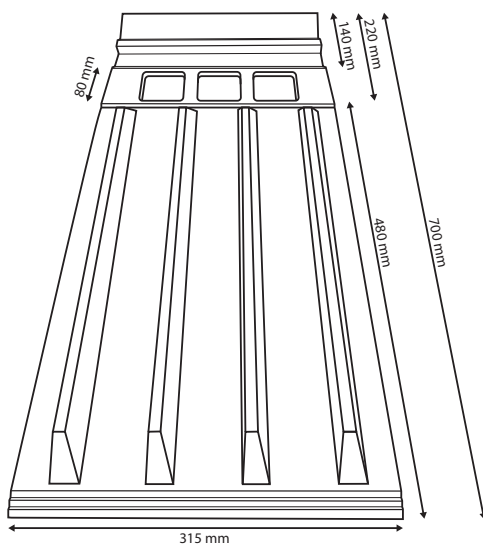
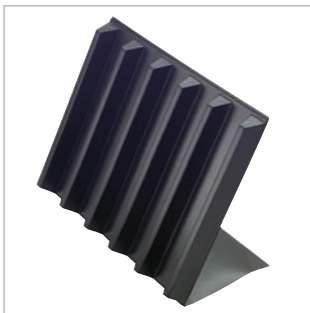
Regulations

- Complies fully with relevant Building Regulations and British Standards

Installation

Simply flex the tray at crease and position into eaves between rafters from inside the loft with the ridges facing towards the underlay. Push the insulation material up to the tray to hold it in place. Ensure that the insulation material does not touch the roofing underlay.

For wider rafter spacings, trays can be clipped together to provide 10mm airflow.



PERFORMANCE / TECHNICAL DATA

Provides a ventilation area of 10,000mm² per metre run when installed between rafters at eaves level.

Klober Ltd

Unit 6F · East Midlands Distribution Centre · Short Lane · Castle Donington · Derbyshire · DE74 2HA
Tel. +44 (0)1332 813 050 · Fax +44 (0)1332 814 033 · www.klober.co.uk · info@klober.co.uk

KLOBER