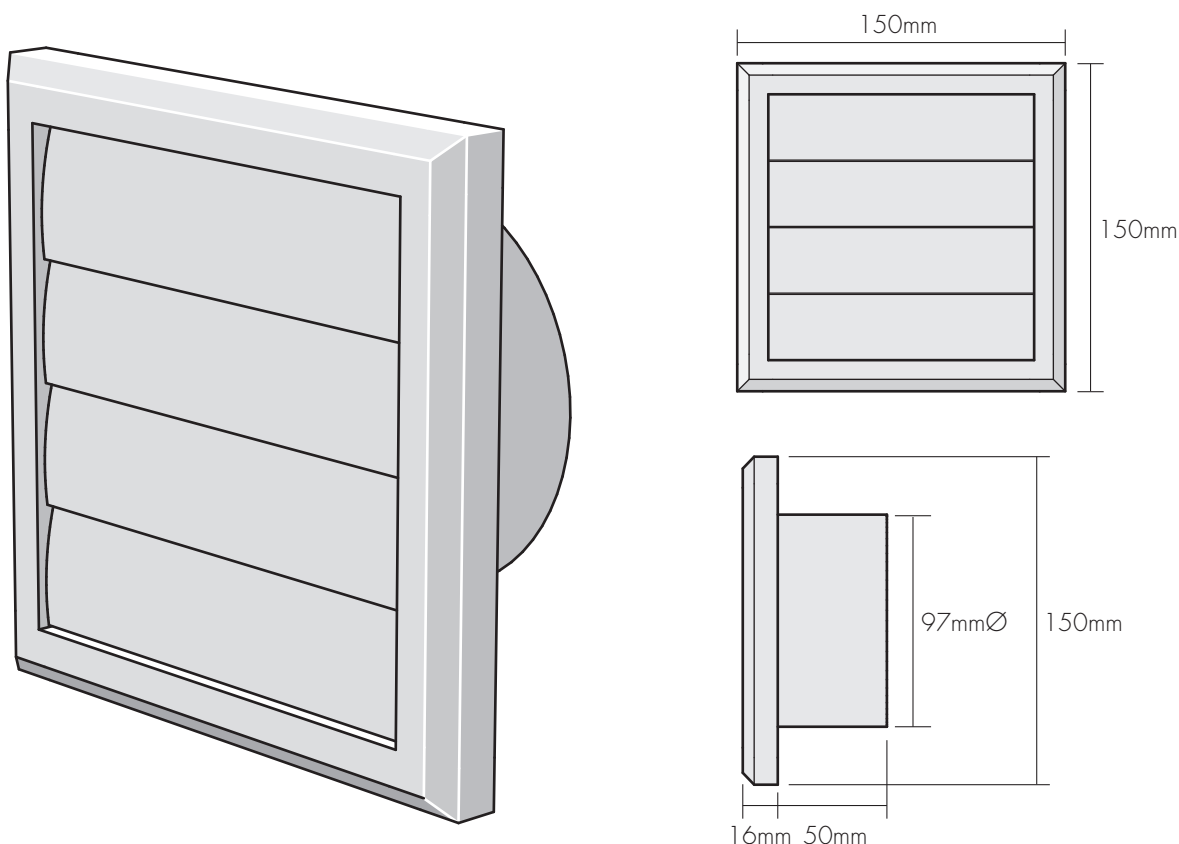


4" Round Spigot and Flaps



The KV9941 is an exterior fitted wall ventilator; it is used in conjunction with 4" (100mm) ducting. The gravity flaps installed on this vent helps diminish back draughts and has been set behind the framework to reduce clacking in crosswinds, it has an elongated spigot to ease with attaching the ducting onto the vent. The screw mountings are hidden behind the flaps which keeps this product as aesthetically pleasing as possible. This product is used in conjunction with Klobers' airduct range.

Manufacturing Process

Injection moulded

Material

HIPS - High Impact Polystyrene

Product Code

KV9941

Colours

- 0900 White
- 0152 Terracotta
- 0247 Brown

Size

150mm x 150mm x 66mm.
Box size 355mm x 290mm x 290mm.

Packing

20 units per box, either with or without being in bags,
77 boxes per pallet (1540 units).

Free Area

N/A

Weight

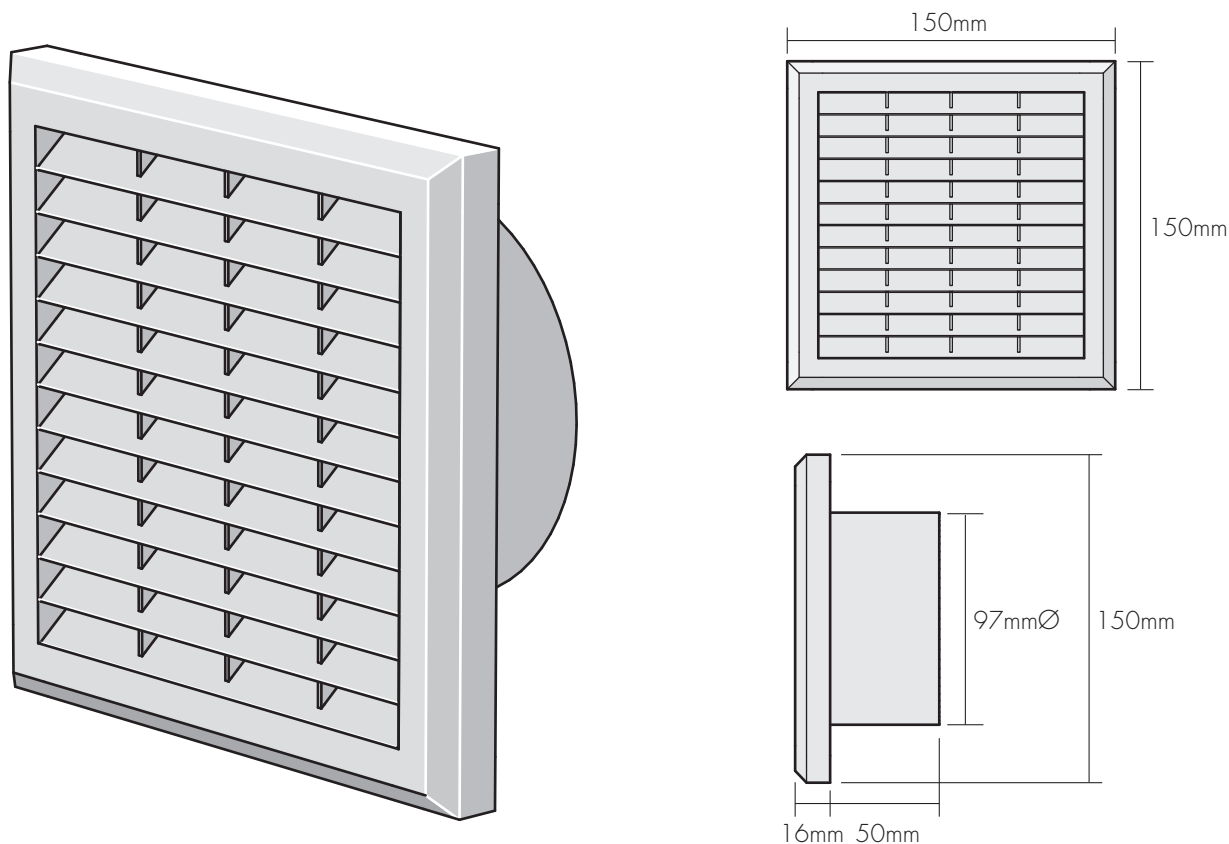
108g per unit or 2.35kg per full box

Klober Ltd

Unit 6F - East Midlands Distribution Centre - Short Lane - Castle Donington - Derbyshire - DE74 2HA
Tel. +44 (0)1332 813 050 - Fax +44 (0)1332 814 033 - info@klober.co.uk - www.klober.co.uk

KLOBER

4" Round Spigot and Louvre



The KV9942 is an exterior fitted wall ventilator; it is used in conjunction with 100mm (4") ducting. It has an elongated spigot to ease with attaching the ducting onto the vent. The screw mountings are hidden behind the louvres which keeps this product as aesthetically pleasing as possible. This product is used in conjunction with Klover's airduct range.

Manufacturing Process

Injection moulded

Material

HIPS - High Impact Polystyrene

Product Code

KV9942

Colours

- 0900 White
- 0152 Terracotta
- 0247 Brown

Size

150mm x 150mm x 66mm.

Box size 355mm x 290mm x 290mm.

Packing

20 units per box, either with or without being in bags, 77 boxes per pallet (1540 units).

Free Area

50cm²

Weight

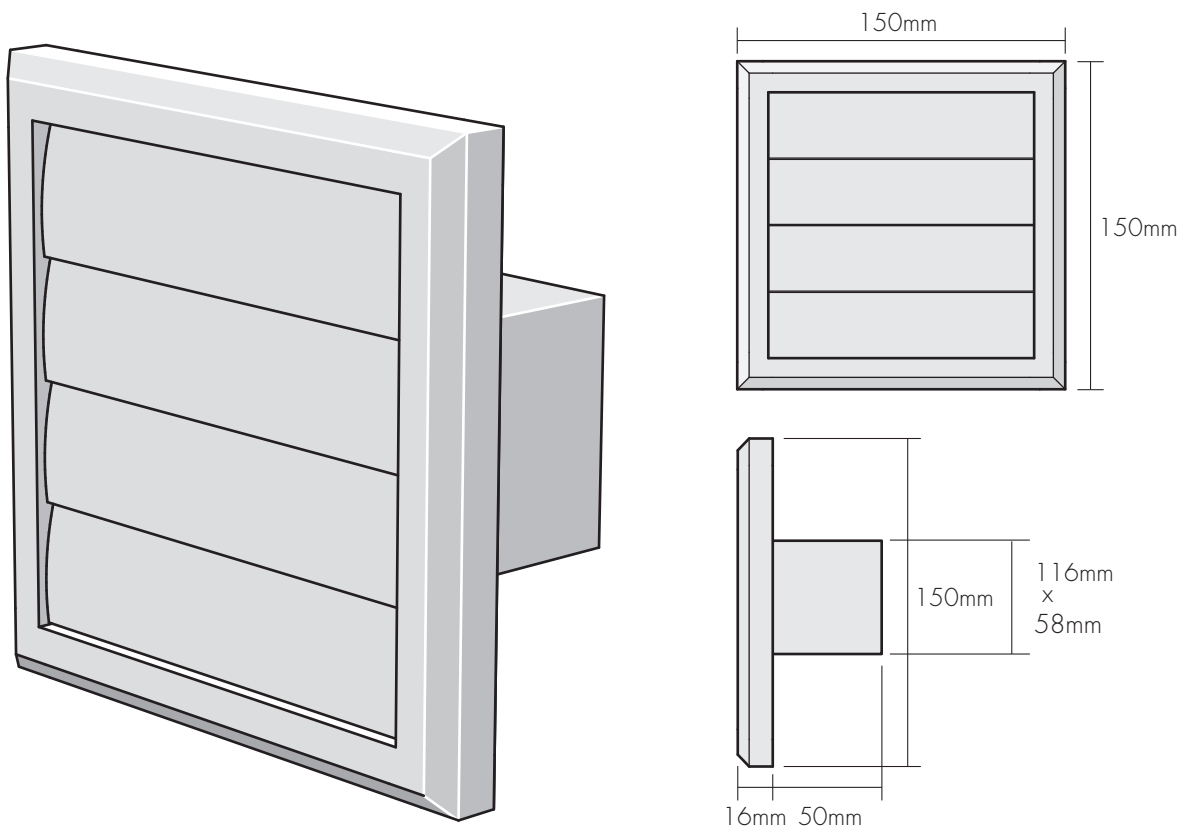
2.92kg per box

Klover Ltd

Unit 6F · East Midlands Distribution Centre · Short Lane · Castle Donington · Derbyshire · DE74 2HA
Tel. +44 (0)1332 813 050 · Fax +44 (0)1332 814 033 · info@klover.co.uk · www.klover.co.uk

KLOBER

4" Rectangular Spigot and Flaps



The KV9945 is an exterior fitted wall ventilator, it is used in conjunction with 54mm x 110mm ducting. The gravity flaps installed on this vent helps diminish back draughts and has been set behind the framework to reduce clacking in crosswinds, it has an elongated spigot to ease with attaching the ducting onto the vent. The screw mountings are hidden behind the flaps which keeps this product as aesthetically pleasing as possible. This product is used in conjunction with Klobber's airduct range.

Manufacturing Process

Injection moulded

Material

HIPS – High Impact Polystyrene

Product Code

KV9945

Colours

- 0900 White
- 0247 Brown
- 0152 Terracotta

Size

150mm x 150mm x 66mm.
Box size 355mm x 290mm x 290mm.

Packing

20 units per box, either with or without being in bags,
77 boxes per pallet (1540 units).

Free Area

N/A

Weight

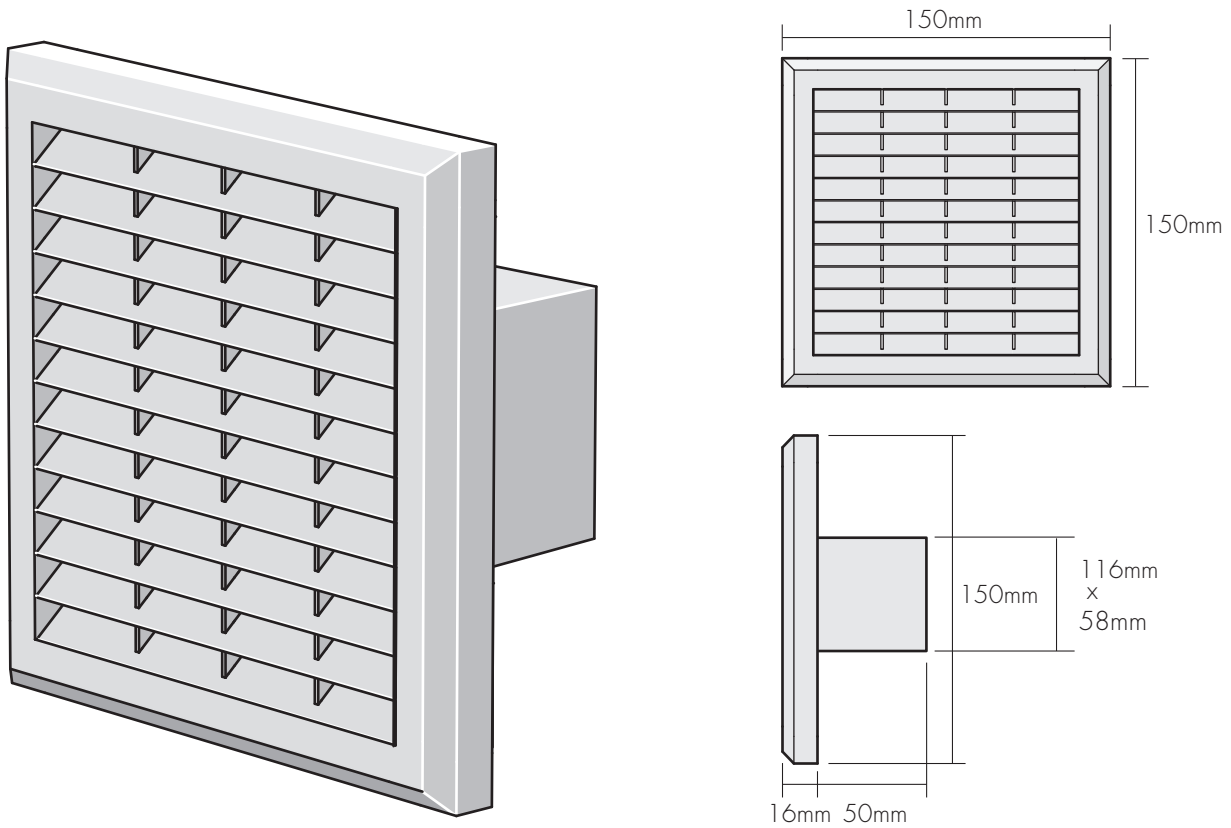
2.547kg per box

Klobber Ltd

Unit 6F · East Midlands Distribution Centre · Short Lane · Castle Donington · Derbyshire · DE74 2HA
Tel. +44 (0)1332 813 050 · Fax +44 (0)1332 814 033 · info@klobber.co.uk · www.klobber.co.uk

KLOBBER

4" Rectangular Spigot and Louvre



The KV9946 is an exterior fitted wall ventilator; it is used in conjunction with 54mm x 110mm ducting. It has an elongated spigot to ease with attaching the ducting onto the vent. The screw mountings are hidden behind the louvres which keeps this product as aesthetically pleasing as possible. This product is used in conjunction with Klobber's airduct range.

Manufacturing Process

Injection moulded

Material

HIPS – High Impact Polystyrene

Product Code

KV9946

Colours

- 0900 White
- 0247 Brown
- 0152 Terracotta

Size

150mm x 150mm x 66mm.

Box size 355mm x 290mm x 290mm.

Packing

20 units per box, either with or without being in bags, 77 boxes per pallet (1540 units).

Free Area

50cm²

Weight

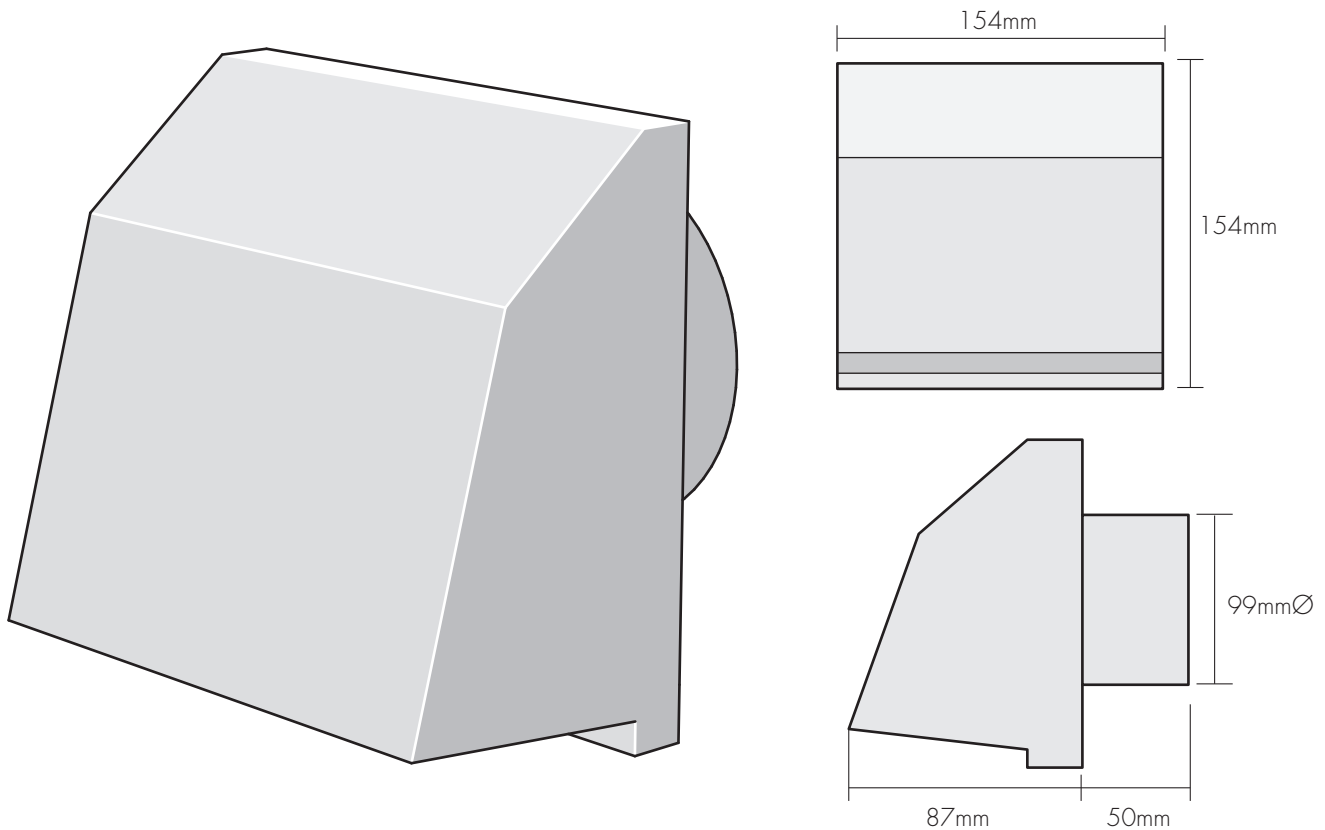
3.107kg per box

Klobber Ltd

Unit 6F · East Midlands Distribution Centre · Short Lane · Castle Donington · Derbyshire · DE74 2HA
Tel. +44 (0)1332 813 050 · Fax +44 (0)1332 814 033 · info@klobber.co.uk · www.klobber.co.uk

KLOBBER

4" Round Spigot (Flap and Cowl)



The KV9943 is an exterior wall ventilator fitted with a cowl. It is used in conjunction with 4" (100mm) ducting. The gravity flaps installed on this vent helps diminish back draughts and has been set behind the framework to reduce clacking in crosswinds, it has an elongated spigot to ease with attaching the ducting onto the vent. The screw mountings are hidden behind the flaps which keeps this product as aesthetically pleasing as possible. This product is used in conjunction with Klobber's airduct range.

Manufacturing Process

Injection moulded

Material

HIPS – High Impact Polystyrene

Product Code

KV9943

Colours

- 0900 White
- 0247 Brown
- 0152 Terracotta

Size

154mm x 154mm x 137mm.
Box size 320mm x 375mm x 665mm.

Packing

20 units per box, either with or without being in bags,
20 boxes per pallet (400 units).

Free Area

N/A

Weight

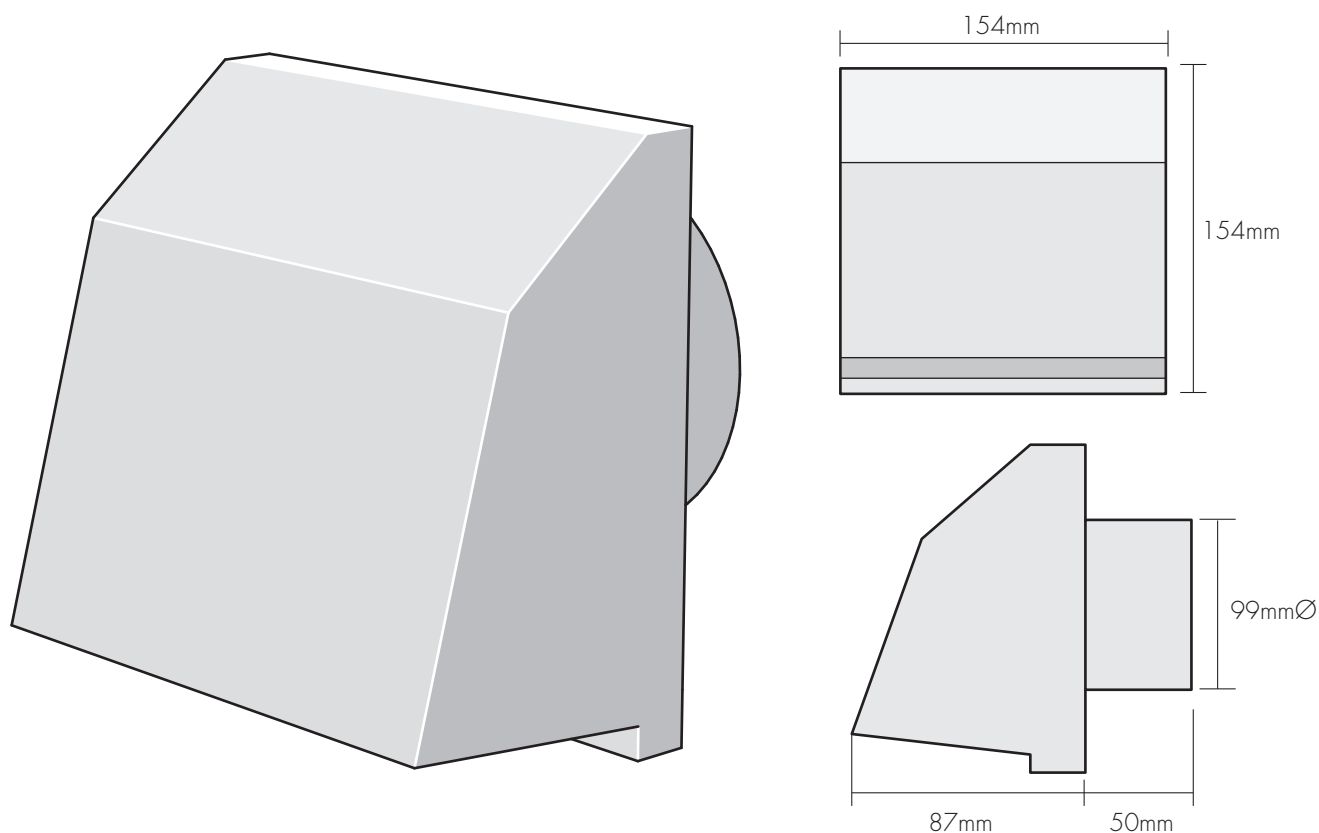
4.591kg per box

Klobber Ltd

Unit 6F · East Midlands Distribution Centre · Short Lane · Castle Donington · Derbyshire · DE74 2HA
Tel. +44 (0)1332 813 050 · Fax +44 (0)1332 814 033 · info@klobber.co.uk · www.klobber.co.uk

KLOBBER

4" Round Spigot (Louvre and Cowl)



The KV9944 is an exterior wall ventilator fitted with a cowl; it is used in conjunction with 4" (100mm) ducting. It has an elongated spigot to ease with attaching the ducting onto the vent. The screw mountings are hidden behind the louvres which keeps this product as aesthetically pleasing as possible. This product is used in conjunction with Klover's airduct range.

Manufacturing Process

Injection moulded

Material

HIPS – High Impact Polystyrene

Product Code

KV9944

Colours

- 0900 White
- 0247 Brown
- 0152 Terracotta

Size

154mm x 154mm x 137mm.
Box size 320mm x 375mm x 665mm.

Packing

20 units per box, either with or without being in bags,
20 boxes per pallet (400 units).

Free Area

50cm²

Weight

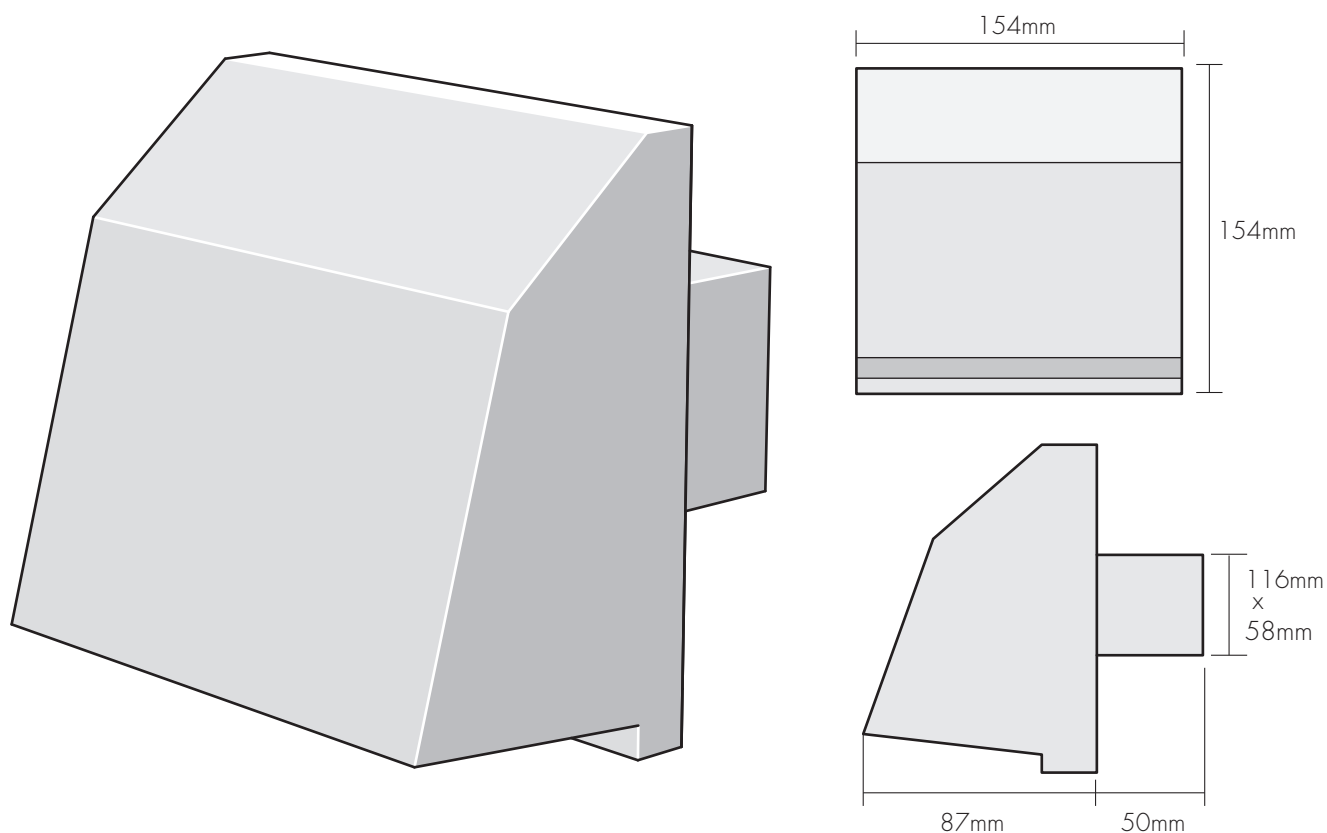
5.151kg per box

Klover Ltd

Unit 6F · East Midlands Distribution Centre · Short Lane · Castle Donington · Derbyshire · DE74 2HA
Tel. +44 (0)1332 813 050 · Fax +44 (0)1332 814 033 · info@klover.co.uk · www.klover.co.uk

KLOBER

4" Rectangular Spigot (Flap and Cowl)



The KV9947 is an exterior wall ventilator fitted with a cowl, it is used in conjunction with 54mm X 110mm ducting. The gravity flaps installed on this vent helps diminish back draughts and has been set behind the framework to reduce clacking in crosswinds, it has an elongated spigot to ease with attaching the ducting onto the vent. The screw mountings are hidden behind the flaps which keeps this product as aesthetically pleasing as possible. This product is used in conjunction with Klobber's airduct range.

Manufacturing Process

Injection moulded

Material

HIPS – High Impact Polystyrene

Product Code

KV9947

Colours

- 0900 White
- 0247 Brown
- 0152 Terracotta

Size

154mm x 154mm x 137mm.
Box size 320mm x 375mm x 665mm.

Packing

20 units per box, either with or without being in bags,
20 boxes per pallet (400 units).

Free Area

N/A

Weight

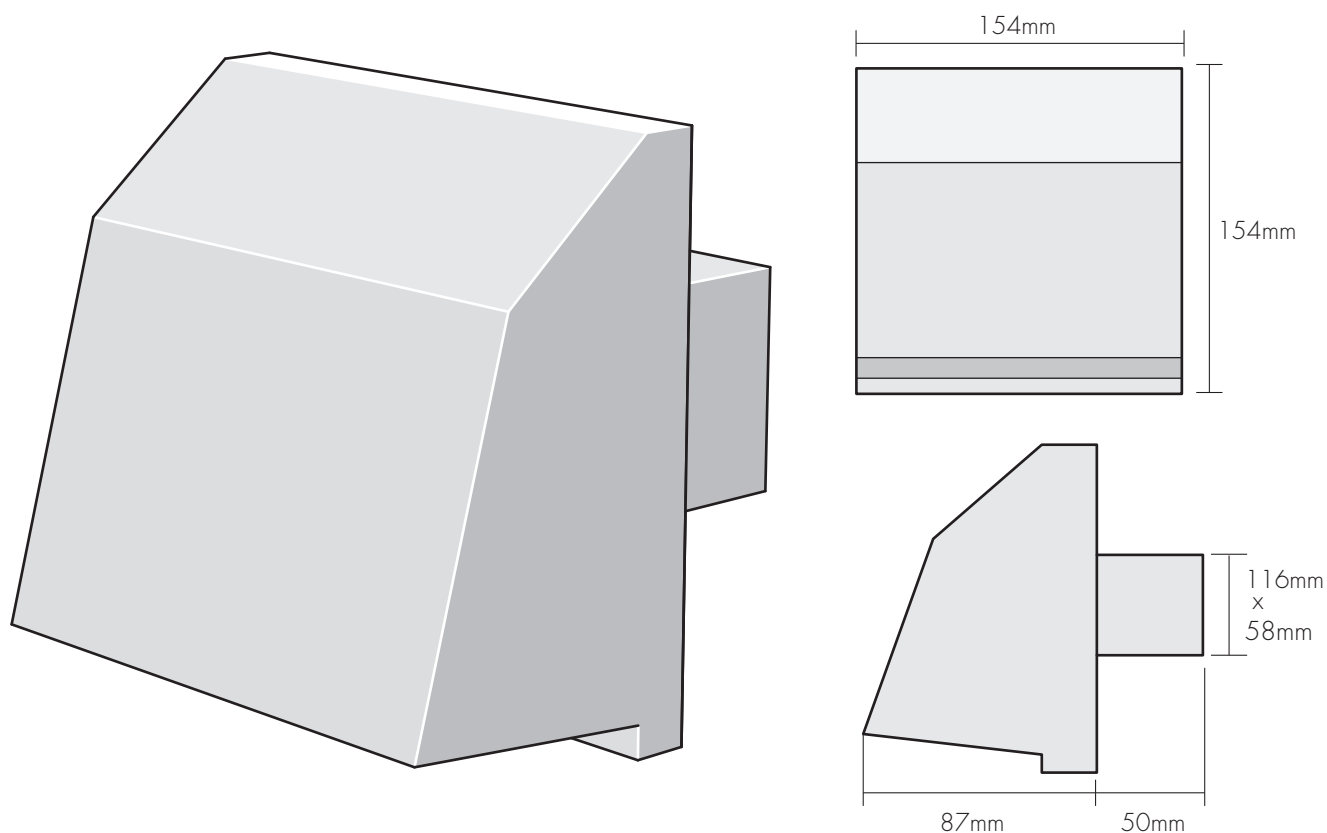
4.02kg per box

Klobber Ltd

Unit 6F · East Midlands Distribution Centre · Short Lane · Castle Donington · Derbyshire · DE74 2HA
Tel. +44 (0)1332 813 050 · Fax +44 (0)1332 814 033 · info@klobber.co.uk · www.klobber.co.uk

KLOBBER

4" Rectangular Spigot (Louvre and Cowl)



The KV9948 is an exterior wall ventilator fitted with a cowl. It is used in conjunction with 54mm x 110mm ducting. It has an elongated spigot to ease with attaching the ducting onto the vent. The screw mountings are hidden behind the louvres which keeps this product as aesthetically pleasing as possible. This product is used in conjunction with Klobber's airduct range.

Manufacturing Process

Injection moulded

Material

HIPS – High Impact Polystyrene

Product Code

KV9948

Colours

- 0900 White
- 0247 Brown
- 0152 Terracotta

Size

154mm x 154mm x 137mm.

Box size 320mm x 375mm x 665mm.

Packing

20 units per box, either with or without being in bags, 20 boxes per pallet (400 units).

Free Area

50cm²

Weight

226g per unit or 5.3kg per full box

Klobber Ltd

Unit 6F · East Midlands Distribution Centre · Short Lane · Castle Donington · Derbyshire · DE74 2HA
Tel. +44 (0)1332 813 050 · Fax +44 (0)1332 814 033 · info@klobber.co.uk · www.klobber.co.uk

KLOBBER