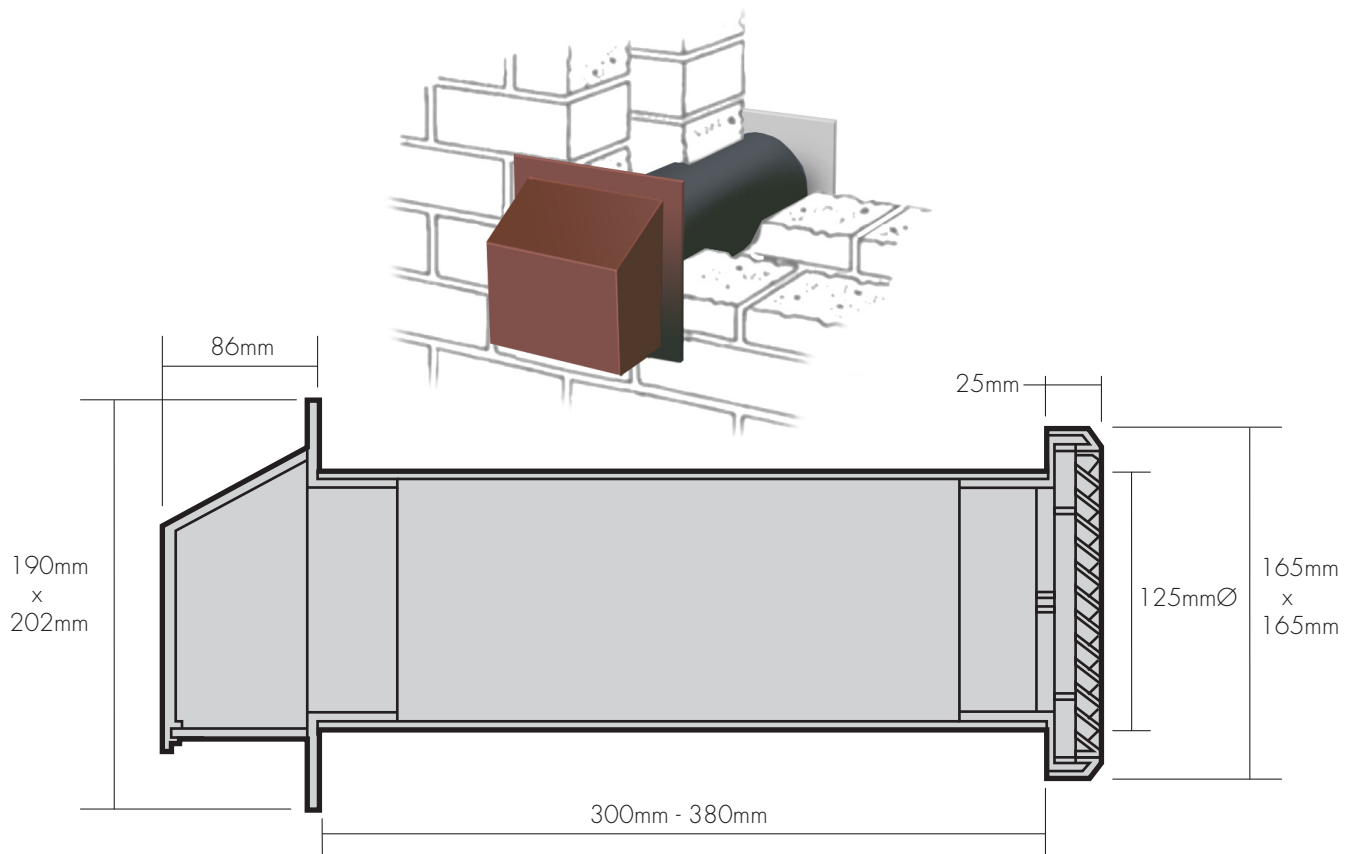


# 5" Core Drill Vent Set



Supplies high levels of combustion/cooling air for heating appliances, a draught resistant cowl is fitted on this product, comes with a free area reducer disk, 50mm long spigot and large flanges for an 'easyfit'. There is a removable internal inspection/directional louvre. Keyed surfaces permitting subsequent painting if required.

## References

BS 5440 Pt.2:2000

## Manufacturing Process

Injection moulded

## Material

HIPS- High impact polystyrene

## Product Code

KV9650

## Colours

- 0900 White
  - 0247 Brown
  - 0152 Terracotta
- Internal Louvre: White

## Box Size

430mm x 215mm x 200mm

## Pallet Size

1m x 1.2m x 2.25m

## Free Area

100 cm<sup>2</sup>

## kW Area

27kW

## Packing

Individually Boxed, 130 boxes per pallet (130 units)

## Weight

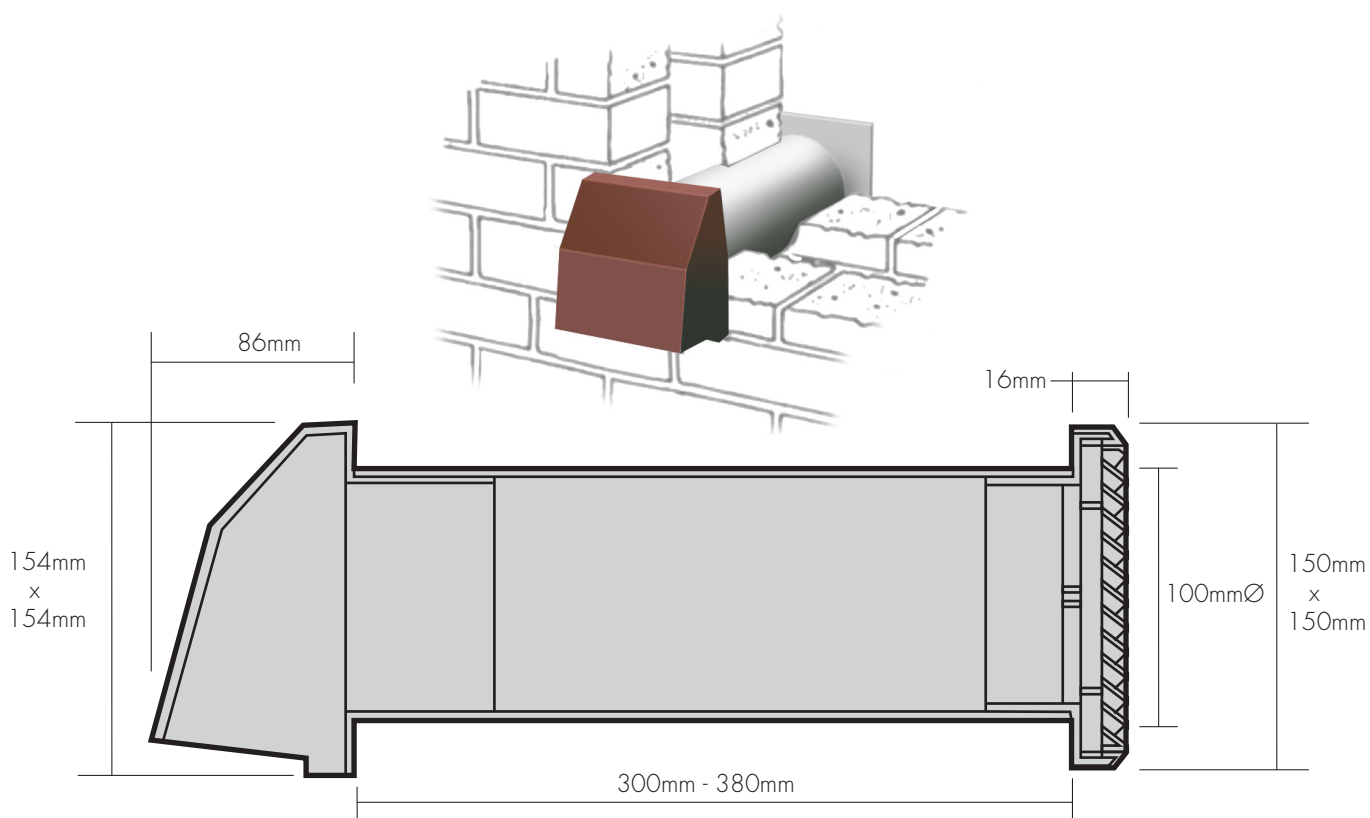
933g per unit, 150kg per pallet

## Klober Ltd

Unit 6F · East Midlands Distribution Centre · Short Lane · Castle Donington · Derbyshire · DE74 2HA  
Tel. +44 (0)1332 813 050 · Fax +44 (0)1332 814 033 · info@klober.co.uk · www.klober.co.uk

# KLOBER

# 4" Core Drill Vent Set



Supplies high levels of combustion/cooling air for heating appliances, a draught resistant cowl is fitted on this product, 50mm long spigot and large flanges for an 'easyfit', Keyed surfaces permitting subsequent painting if required.

## References

BS 5440 Pt.2:2000

## Manufacturing Process

Injection moulded

## Material

HIPS- High impact polystyrene

## Product Code

KV9640

## Colours

- 0900 White
  - 0247 Brown
  - 0152 Terracotta
- Internal Louvre: White

## Box Size

415mm x 165mm x 175mm

## Pallet Size

1m x 1.2m x 2.25m

## Free Area

148 cm<sup>2</sup>

## kW Area

36kW

## Packing

Individually Boxed, 192 boxes per pallet (192 units)

## Weight

768g per unit, 175kg per pallet

## Klober Ltd

Unit 6F · East Midlands Distribution Centre · Short Lane · Castle Donington · Derbyshire · DE74 2HA  
Tel. +44 (0)1332 813 050 · Fax +44 (0)1332 814 033 · info@klober.co.uk · www.klober.co.uk

# KLOBER