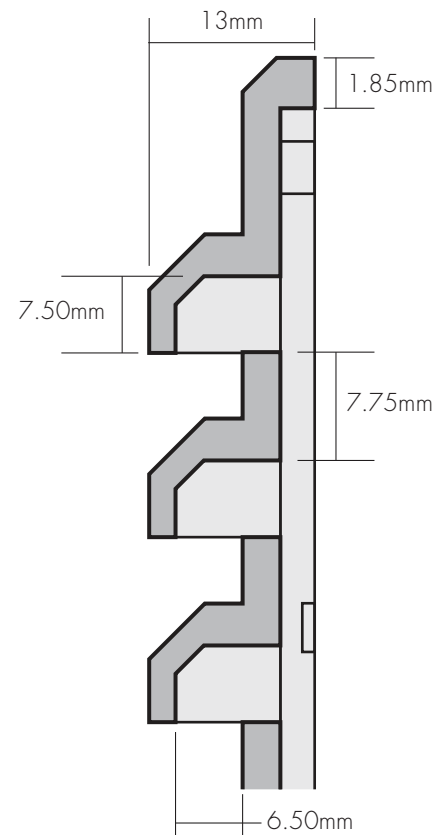
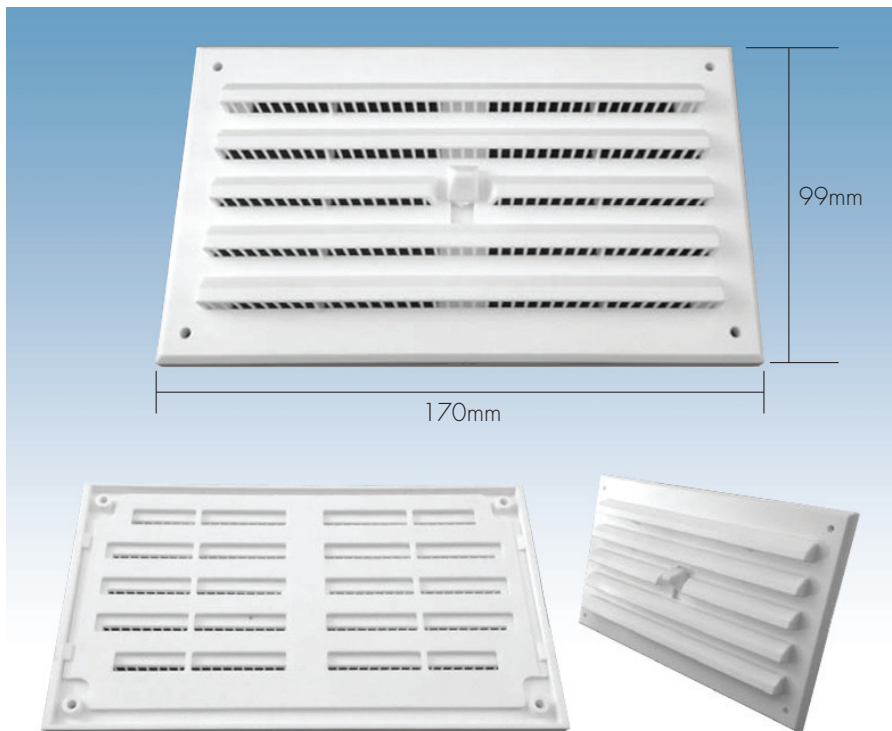


6" x 3" Hit and Miss Vent



6" x 3" Plastic open/close vent with integrated fly screen.
Not suitable for venting gas appliances.
External or internal use. Keyed surface for painting.

Product Code
KV9873 - 63

Colours
- 0900 White
- 0247 Brown

Size
170mm x 99mm x 13mm

Box Size
200mm x 150mm x 105mm

Free Area
20 cm²

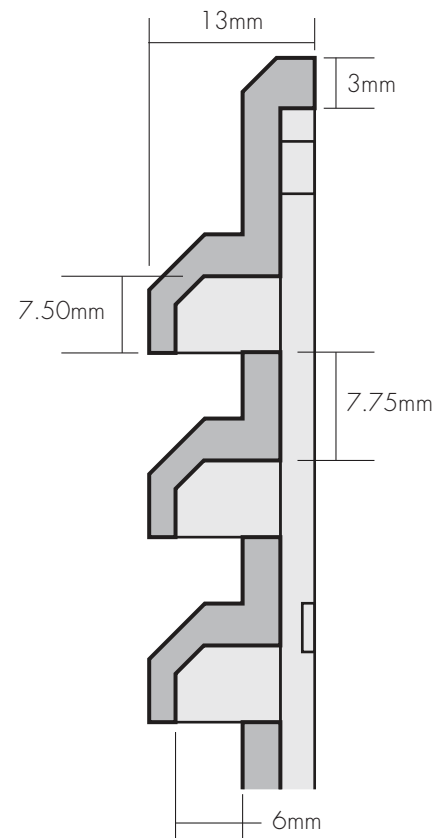
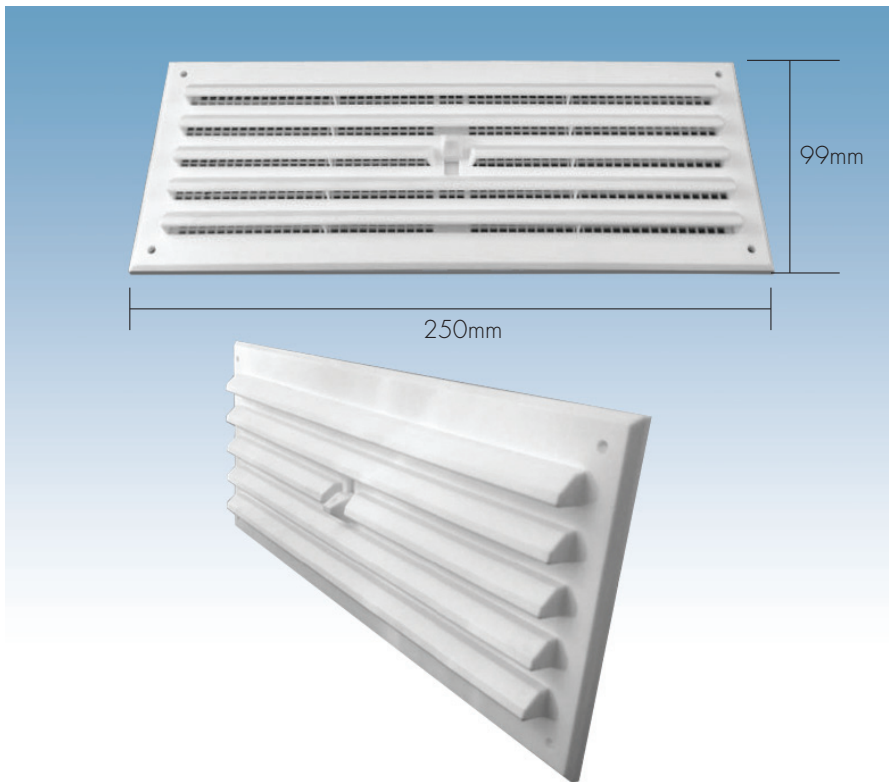
Packing
30 units unbagged per box.
200 boxes per pallet (6000 units).

Weight
2.107kg per box

Manufacturing Process
Injection moulded

Material
HIPS - High Impact Polystyrene

9" x 3" Hit and Miss Vent



9" x 3" Plastic open/close vent with integrated fly screen.
Not suitable for venting gas appliances.
External or internal use, Keyed surface for painting.

Product Code
KV9873 - 93

Colours
- 0900 White
- 0247 Brown

Size
250mm x 99mm x 13mm

Box Size
350mm x 275mm x 130mm

Free Area
40 cm²

Packing
30 units unbagged per box.
165 boxes per pallet (4950 units).

Weight
2.968kg per box

Manufacturing Process
Injection moulded

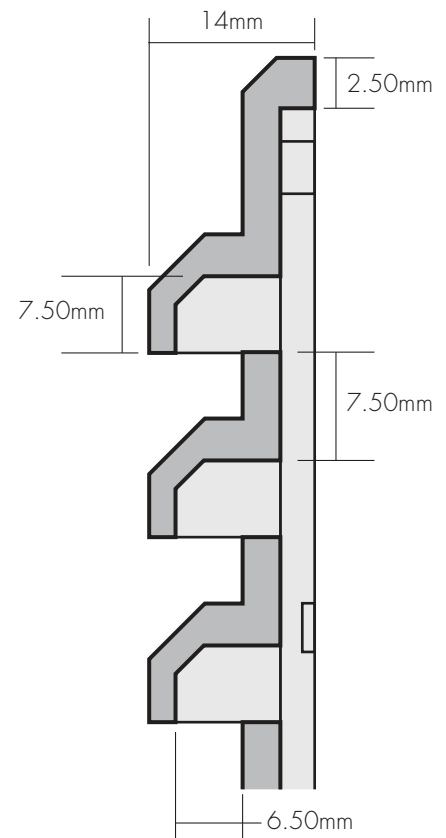
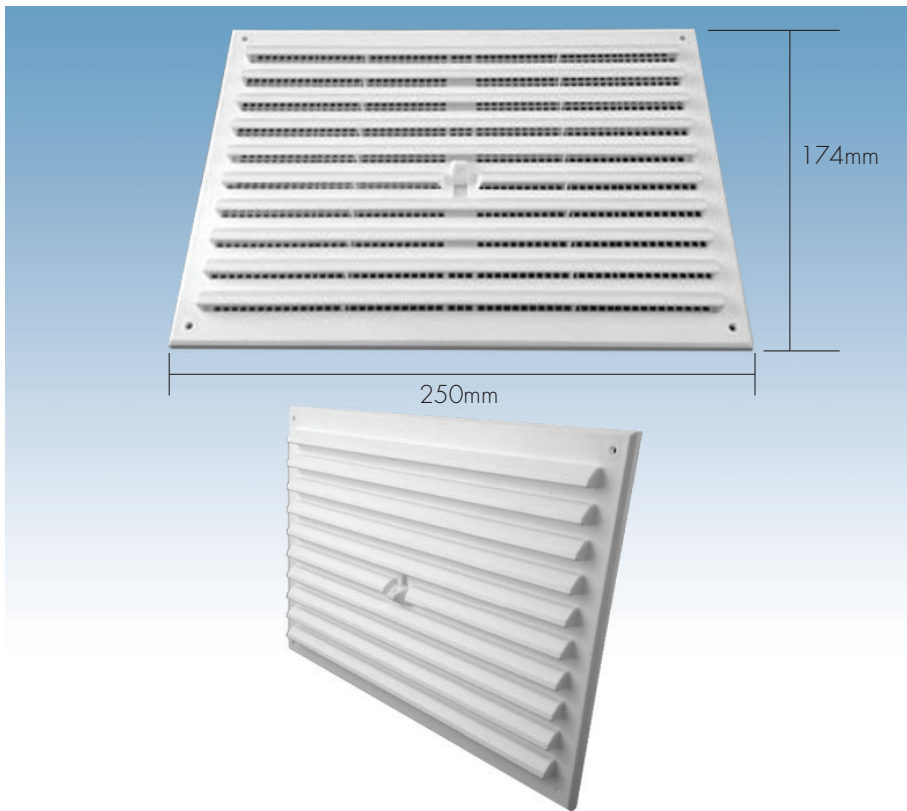
Material
HIPS - High Impact Polystyrene

Klober Ltd

Unit 6F · East Midlands Distribution Centre · Short Lane · Castle Donington · Derbyshire · DE74 2HA
Tel. +44 (0)1332 813 050 · Fax +44 (0)1332 814 033 · info@klober.co.uk · www.klober.co.uk

KLOBER

9" x 6" Hit and Miss Vent



9" x 6" Plastic open/close vent with integrated fly screen.
Not suitable for venting gas appliances.
External or internal use, Keyed surface for painting.

Product Code
KV9873 - 96

Colours
- 0900 White
- 0247 Brown

Size
250mm x 174mm x 14mm

Box Size
350mm x 275mm x 200mm

Free Area
81 cm²

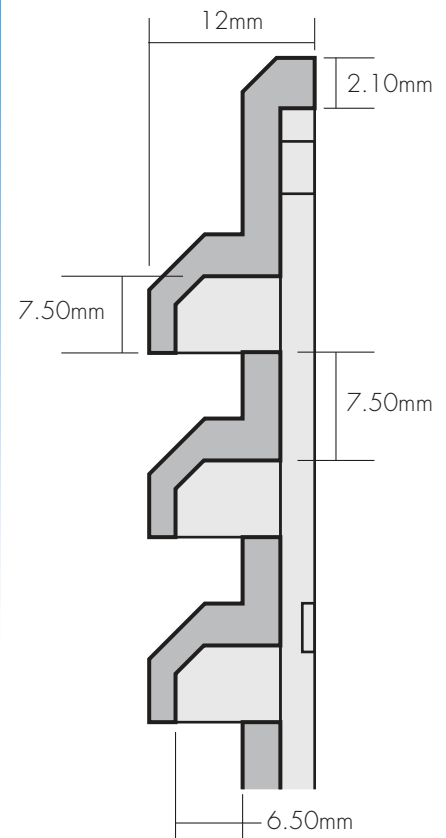
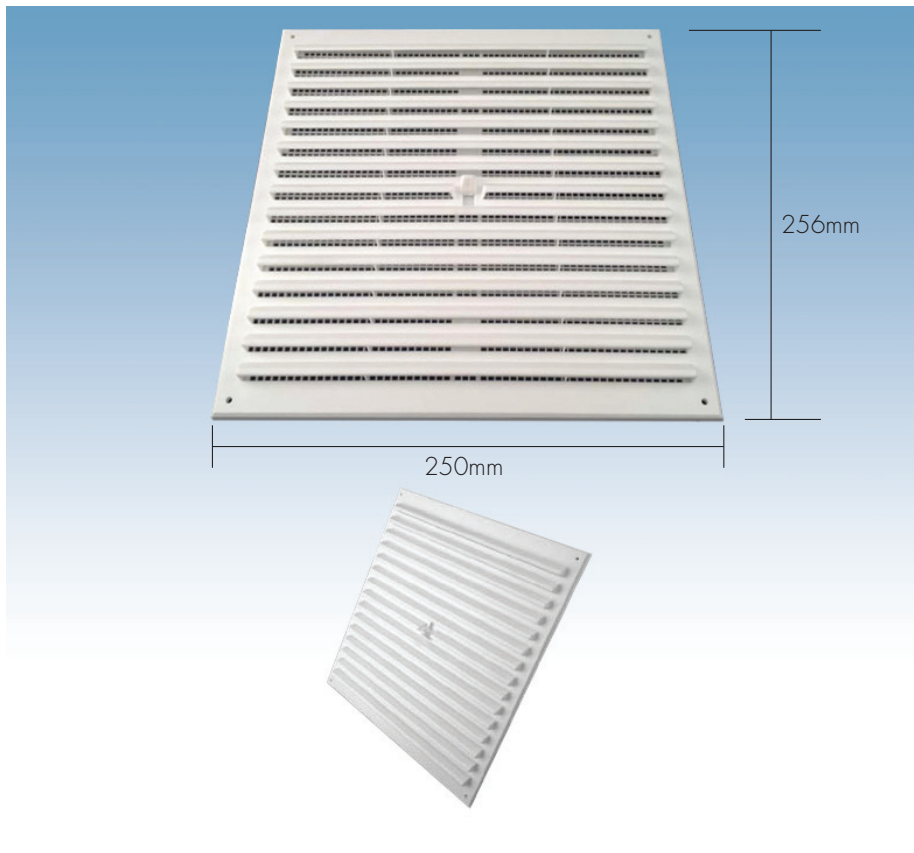
Packing
30 units unbagged per box.
99 boxes per pallet (2970 units).

Weight
5.128kg per box

Manufacturing Process
Injection moulded

Material
HIPS - High Impact Polystyrene

9" x 9" Hit and Miss Vent



9" x 9" Plastic open/close vent with integrated fly screen.
Not suitable for venting gas appliances.
External or internal use, Keyed surface for painting.

Product Code
KV9873 - 99

Colours
- 0900 White
- 0247 Brown

Size
256mm x 250mm x 12mm

Box Size
355mm x 290mm x 290mm

Free Area
123 cm²

Packing
30 units unbagged per box.
77 boxes per pallet (2310 units).

Weight
7.68kg per box

Manufacturing Process
Injection moulded

Material
HIPS - High Impact Polystyrene