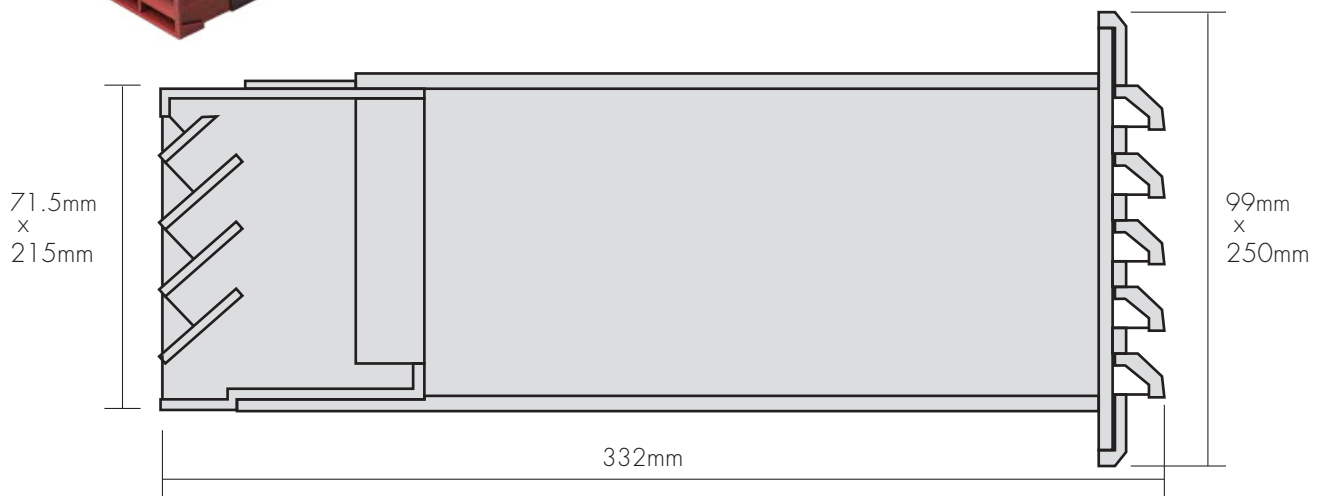


9" x 3" Through Wall Vent Set



For new installations, offering high free area. KV9280-93 includes the KV9220-93 Airbrick with integrated water barrier, ridged liner and face-fit internal vent which is the KV9871-93. Keyed surfaces permitting subsequent painting if required.

References

BS 5440 Pt.2:2000

Weight

606g per unit

Manufacturing Process

Injection moulded

Material

PPC - Polypropylene copolymer. HIPS - High Impact Polystyrene.

Product Code

KV9280 - 93

Colours

KV9220-93:

- 0429 Grey
- 0247 Brown
- 0152 Terracotta
- 0450 Black
- 2001 Buff

KV9871-93: White

Box Size

355mm x 290mm x 140mm.

Packing

Individually Boxed, 165 boxes per pallet.

Free Area

65cm²

kW Area

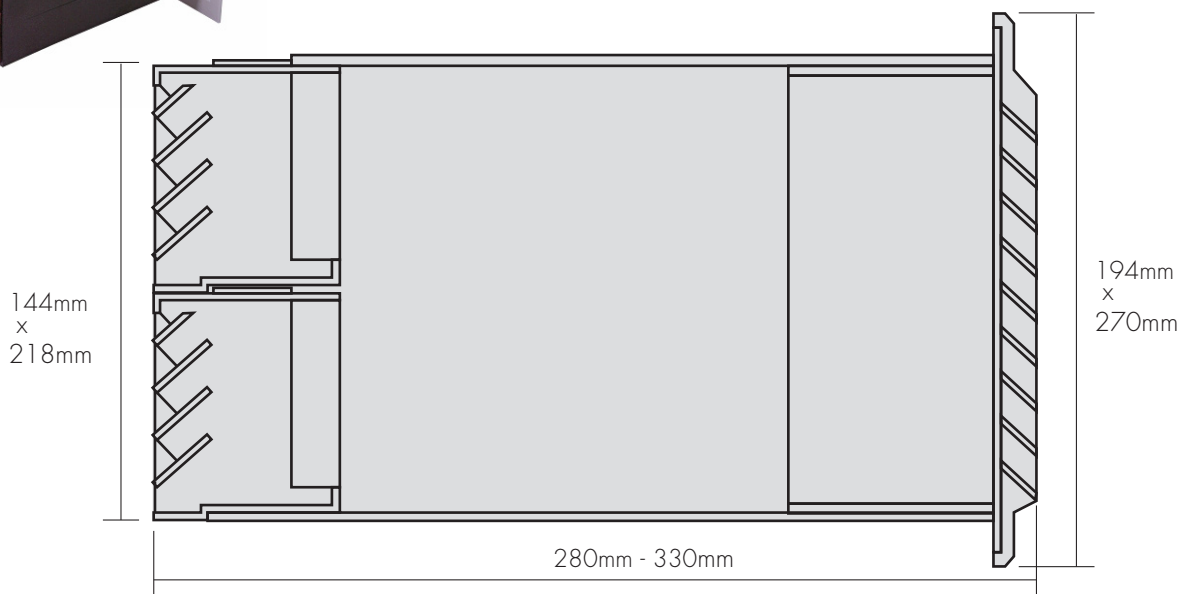
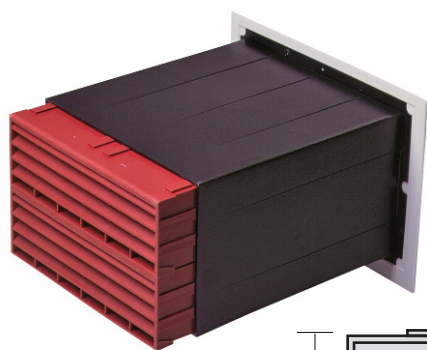
20kW

Klober Ltd

Unit 6F - East Midlands Distribution Centre - Short Lane - Castle Donington - Derbyshire - DE74 2HA
Tel. +44 (0)1332 813 050 - Fax +44 (0)1332 814 033 - info@klober.co.uk - www.klober.co.uk

KLOBER

9" x 6" Through Wall Vent Set



For new installations, offering high free area. KV9280-96 includes the KV9220-93 Airbrick with integrated water barrier, ridged liner and face-fit internal vent. It is important that this vent is not blocked when installed.

References

BS 5440 Pt.2:2000

Manufacturing Process

Injection moulded

Material

PPC - Polypropylene copolymer. HIPS – High Impact Polystyrene.

Product Code

KV9280 - 96

Colours

KV9220-93:

- 0429 Grey
- 0247 Brown
- 0152 Terracotta
- 0450 Black
- 2001 Buff

Box Size

Box size is 355mm X 290mm X 205mm

Packing

Individually Boxed, 99 boxes per pallet.

Free Area

148cm²

kW Area

36kW

Weight

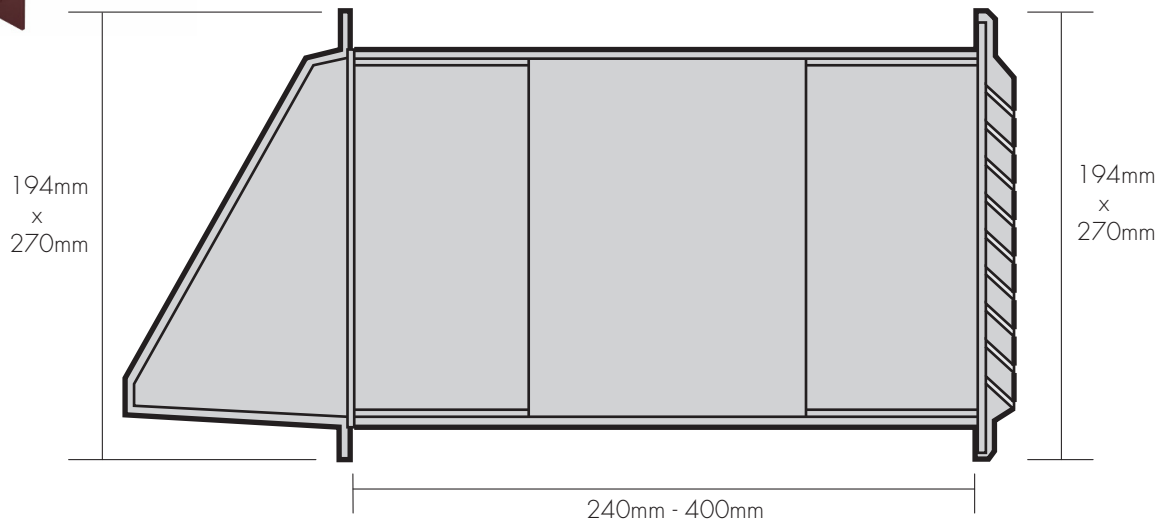
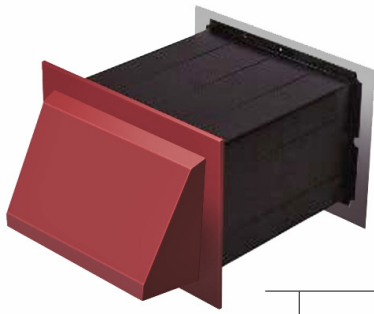
1.355kg per unit

Klober Ltd

Unit 6F · East Midlands Distribution Centre · Short Lane · Castle Donington · Derbyshire · DE74 2HA
Tel. +44 (0)1332 813 050 · Fax +44 (0)1332 814 033 · info@klober.co.uk · www.klober.co.uk

KLOBER

9" x 6" Through Wall Vent Set & Cowl



For new installations, offering high free area. KV9281-96 has a highly efficient retro-fit cowl and requires no mortar for fitment. The cowl has a keyed surface permitting subsequent painting. The liner is a KV9320-96. It is important that this vent is not blocked when installed.

References

BS 5440 Pt.2:2000

Manufacturing Process

Injection moulded

Material

HIPS- High impact polystyrene

Product Code

KV9281 - 96

Colours

- 0429 Grey
- 0247 Brown
- 0152 Terracotta
- 0450 Black
- 2001 Buff

Size

194mm x 270mm x 330mm

Box Size

215mm x 280mm x 357mm

Free Area

148 cm²

kW Area

36kW

Packing

Individually Boxed, 99 boxes per pallet (99 units)

Weight

1.441kg per unit

Klober Ltd

Unit 6F · East Midlands Distribution Centre · Short Lane · Castle Donington · Derbyshire · DE74 2HA
Tel. +44 (0)1332 813 050 · Fax +44 (0)1332 814 033 · info@klober.co.uk · www.klober.co.uk

KLOBER