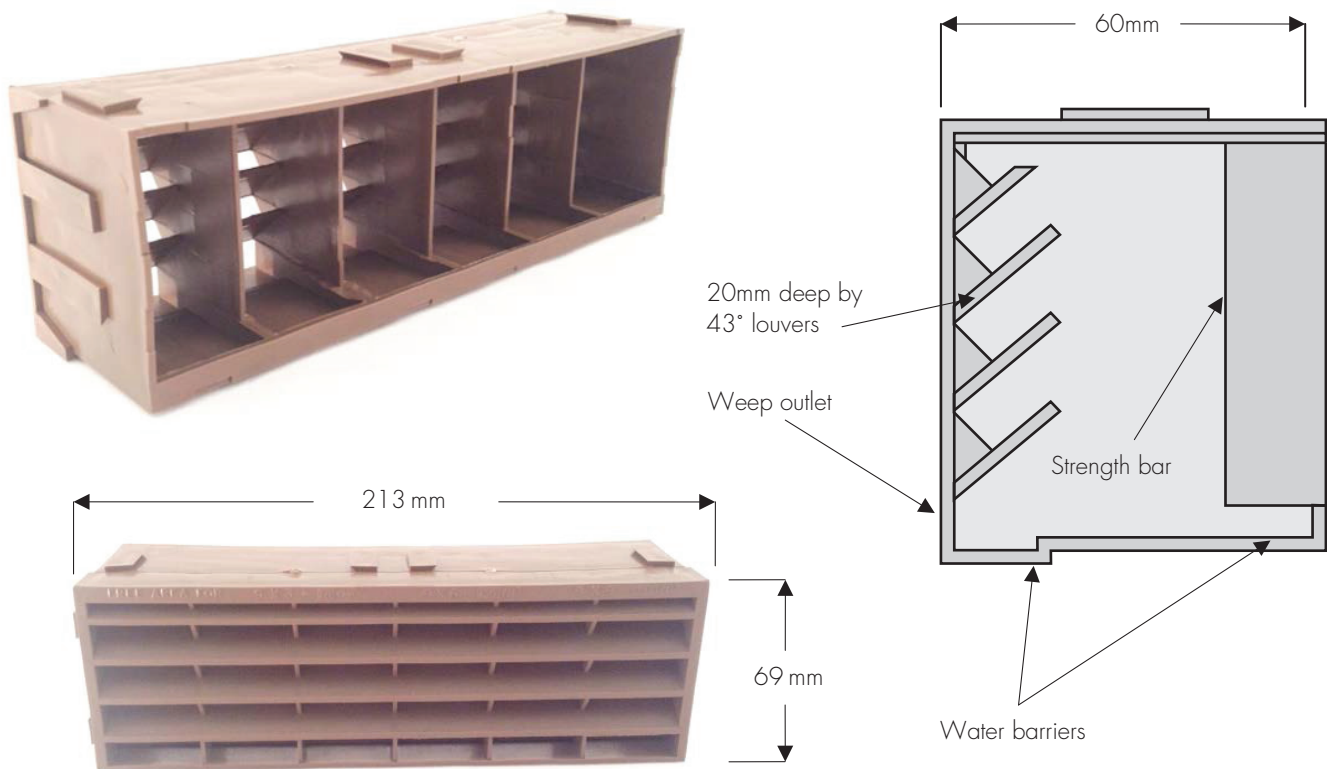


9"x3" Interlocking Airbrick



Whilst exceeding current BS Standards, our interlocking airbrick has been designed for a wide range of ventilation applications. It has 20mm deep louvers set at 43° act as excellent barriers against driving rain. A two-step integral water barrier has also been incorporated for added peace of mind. All airbricks are supplied with mortar key and keyed surface permitting painting, if required. A fly screen option is also available with the unique ability to maintain free area whilst obstructing particles of 4mm diameter or more.

This product is used in conjunction with, KV9501, KV9280-93, KV9280-96.

References

BRE: DIGEST 17/262
BRE: Floors, Flooring
DOE: Building Regulations C4
NHBC: Standards 5.2
BS: 493

Product Code

KV9220 - 93

Colours

- 0429 Grey
- 0247 Brown
- 0152 Terracotta
- 0450 Black
- 2001 Buff

Box Size

230 x 260 x 380 mm

Pallet Size

1 x 1.2 x 1.9 m

Free Area

78 cm²

Packing

20 per box, 91 boxes per pallet (1820 units)

Weight

120g per unit, 2.569kg per box, 258kg per pallet

Manufacturing Process

Injection moulded

Material

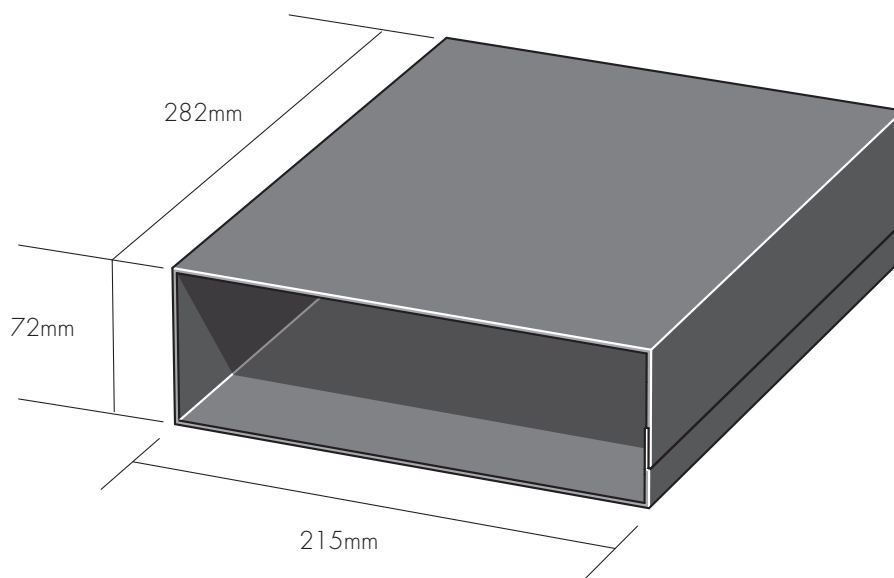
PPC - Polypropylene copolymer

Klober Ltd

Unit 6F - East Midlands Distribution Centre - Short Lane - Castle Donington - Derbyshire - DE74 2HA
Tel. +44 (0)1332 813 050 - Fax +44 (0)1332 814 033 - info@klober.co.uk - www.klober.co.uk

KLOBER

9" x 3" Rigid Liner - Single Airbrick



Robust rigid cavity liners suitable for push-fit attachment to airbricks for through wall ventilation in both above and below ground applications.

This product is used in conjunction with KV9220 - 93, KV9871-93, KV9873-93.

References

BS 5440 Pt.2:2000

Product Code

KV9319

Size

215mm x 282mm x 72mm

Box Size

38mm x 315mm x 675mm

Packing

1 per box, 165 boxes per pallet (165 units)

Free Area

600cm²

Weight

422g per unit

Manufacturing Process

Bent Sheet

Material

HIPS - High Impact Polystyrene

Colours

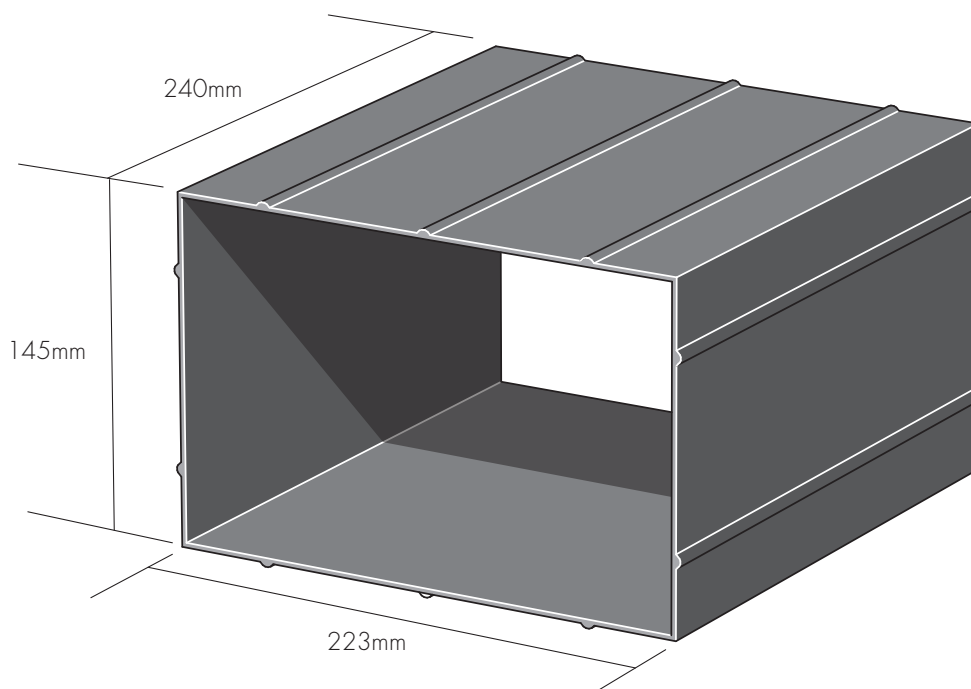
Black

Klober Ltd

Unit 6F · East Midlands Distribution Centre · Short Lane · Castle Donington · Derbyshire · DE74 2HA
Tel. +44 (0)1332 813 050 · Fax +44 (0)1332 814 033 · info@klober.co.uk · www.klober.co.uk

KLOBER

Rigid Cavity Liner 9" x 6"



Robust rigid cavity liners suitable for push-fit attachment to airbricks for through wall ventilation in both above and below ground applications.
This product is used in conjunction with KV9873-96, KV9871-96.

References

BS 5440 Pt.2:2000

Product Code

KV9320 - 96

Size

145mm x 223mm x 240mm

Packing

1 unit per box, 99 boxes per pallet (99 units)

Free Area

210cm²

Weight

0.968Kg per unit

Manufacturing Process

Injection moulded

Material

HIPS - High Impact Polystyrene

Colours

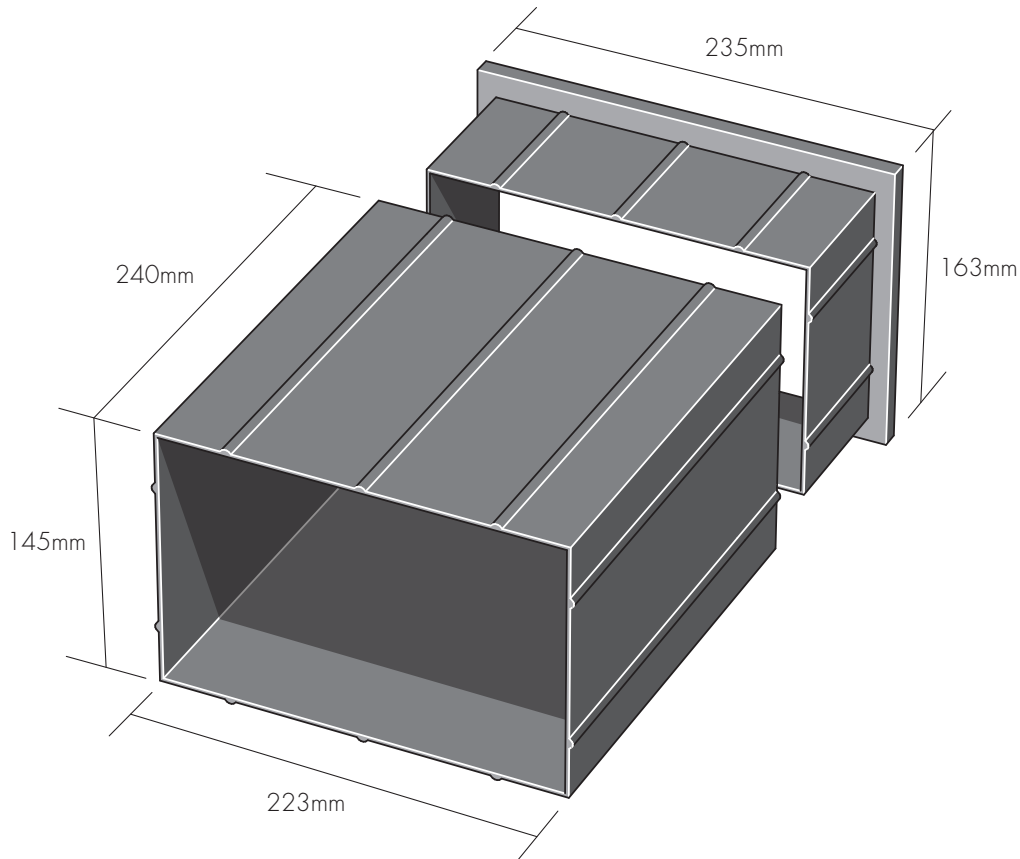
Black

Klober Ltd

Unit 6F · East Midlands Distribution Centre · Short Lane · Castle Donington · Derbyshire · DE74 2HA
Tel. +44 (0)1332 813 050 · Fax +44 (0)1332 814 033 · info@klober.co.uk · www.klober.co.uk

KLOBER

9" x 6" Telescopic Cavity Liner



The KV9321-96 is a telescopic cavity liner with an 80mm adjustment range (240mm - 320mm).

This product is used in conjunction with 225 x 150mm (9" X 6") KV9220-93

References

BS 5440 Pt.2:2000

Product Code

KV9321 - 96

Box Size

200mm x 275mm x 350mm

Packing

1 unit per box, 99 boxes per pallet (99 units)

Free Area

273cm²

Weight

0.887Kg per box

Manufacturing Process

Injection moulded

Material

HIPS - High Impact Polystyrene

Colours

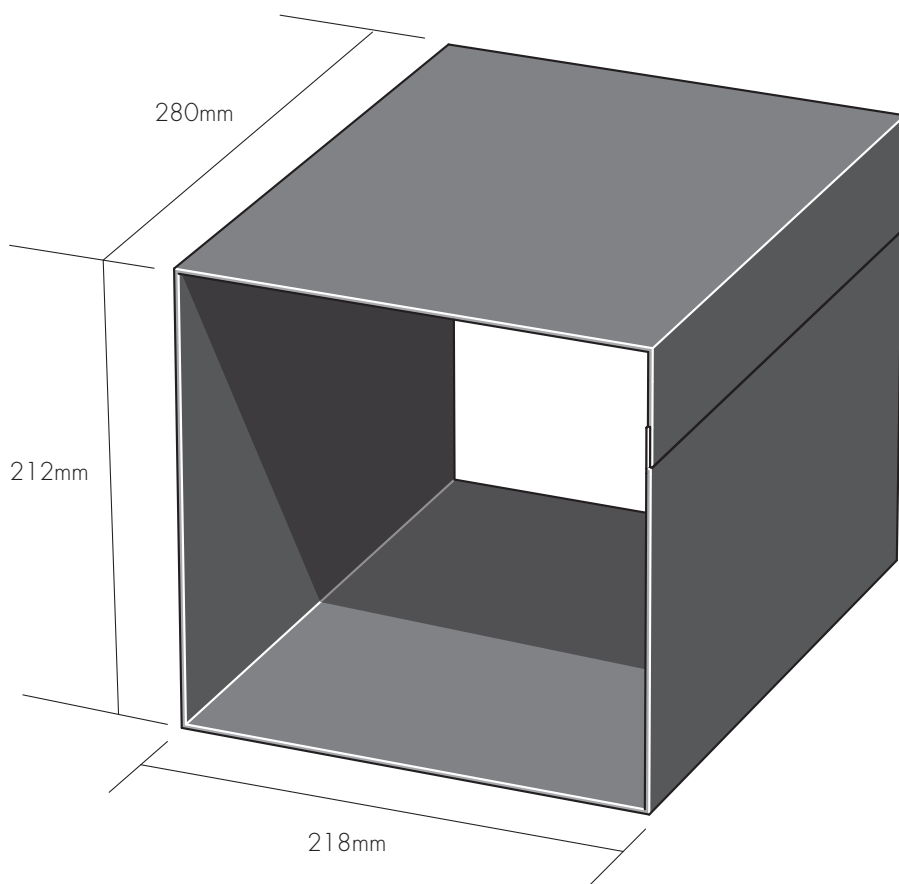
Black

Klober Ltd

Unit 6F · East Midlands Distribution Centre · Short Lane · Castle Donington · Derbyshire · DE74 2HA
Tel. +44 (0)1332 813 050 · Fax +44 (0)1332 814 033 · info@klober.co.uk · www.klober.co.uk

KLOBER

9" x 9" Rectangular Cavity Liner



Robust rigid cavity liners suitable for push-fit attachment to airbricks for through wall ventilation in both above and below ground applications.

This product is used in conjunction with KV9873-99, KV9872-99.

References

BS 5440 Pt.2:2000

Product Code

KV9322-99

Size

212mm x 218mm x 280mm

Box Size

280mm x 280mm x 340mm

Packing

1 unit per box, 77 boxes per pallet

Free Area

460cm²

Weight

585g per unit

Manufacturing Process

Injection moulded

Material

HIPS - High Impact Polystyrene

Colours

Black

Klober Ltd

Unit 6F · East Midlands Distribution Centre · Short Lane · Castle Donington · Derbyshire · DE74 2HA
Tel. +44 (0)1332 813 050 · Fax +44 (0)1332 814 033 · info@klober.co.uk · www.klober.co.uk

KLOBER